

Overview

The Terabit Switch Router (TSR[®]) bay shelf cover is an Electro-magnetic Interference (EMI) shield for EMI compliance. The shelf cover fits easily onto each shelf of the TSR bay and requires no hardware.

Installing the Shelf Cover

Each TSR bay has four shelves numbered from 1 (top) to 4 (bottom). Each shelf cover kit contains 4 shelf covers. The shelf cover design is easily installed and removed for access to router and server modules.

Each shelf cover is a stand-alone unit. No hardware is necessary to attach the shelf cover to the bay. Small notches in the top and bottom of the shelf cover grasp and attach to screws in each side of bay frame. Refer to Figure 1.

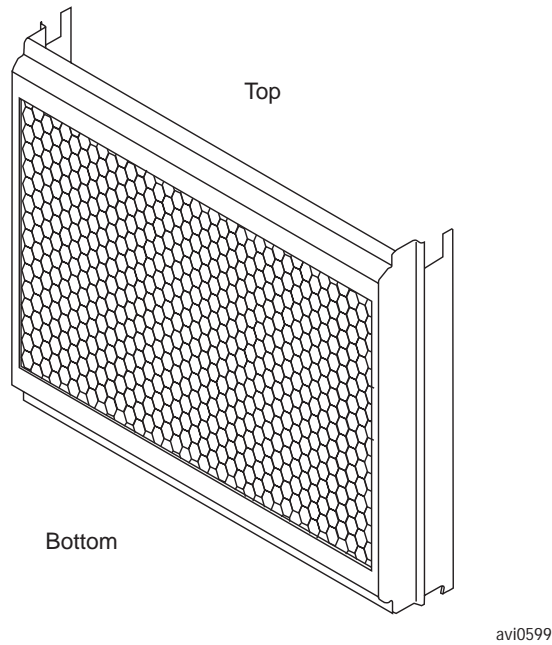


Figure 1. EMI Shelf Cover

PROCEDURE: Beginning at the top shelf of the bay, use the following procedure to install the shelf cover on each of the four shelves:

- Step 1** Open the door panels on each side of the bay.
- Step 2** Holding the shelf cover at a 45° angle, position the top notches of the shelf cover onto the screws on the bay on either side of the bay frame. Refer to Figure 2.

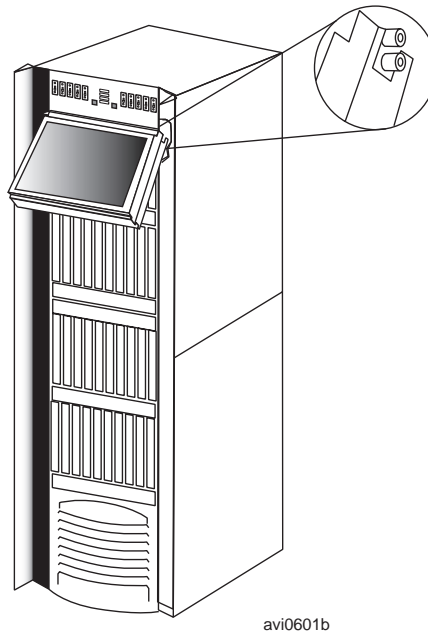


Figure 2. Shelf Installation - 1

Step 3 Lower the bottom of the shelf cover and push the cover onto the bay. Refer to Figure 3.

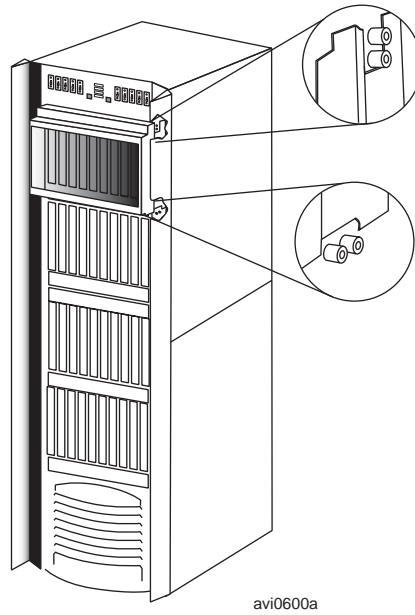


Figure 3. Shelf Installation - 2

Step 4 Push the shelf cover down to fully engage the notches on the bottom screws. Refer to Figure 4.

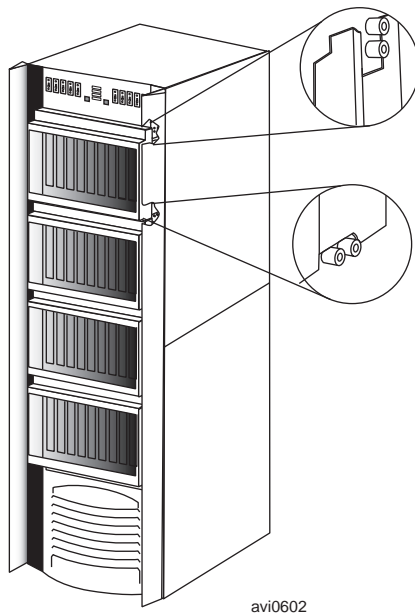
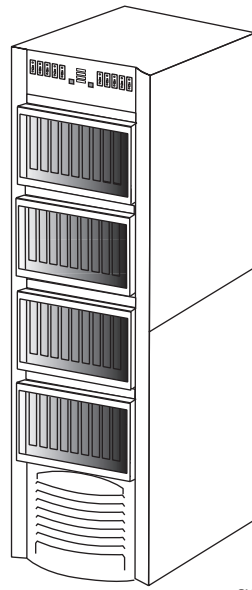


Figure 4. Shelf Installation - 3

Step 5 Repeat Step 2 through Step 4 for the remaining 3 shelf covers. Refer to Figure 5.



avi0604c

Figure 5. Completed Shelf Installation