



# Field Replacement Procedure

*TSR Air Filter*

02139-01 Rev. AB

Before beginning this procedure, carefully inspect the package to ensure no damage occurred during shipping or delivery. If you suspect any possible damage to any field replacement unit, contact Avici Customer Service immediately.

## **Support Services**

To obtain information on customer service and training, there are three ways to contact Avici Customer Service:

- United States Support: 877-292-8424 (TSR-BY-AVICI)  
International Support: 01-978-964-2350
- E-mail: [support@avici.com](mailto:support@avici.com)
- World Wide Web: <http://www.avici.com>

## **Introduction**

The Terabit Switch Router (TSR<sup>®</sup>) bay has two removable air filters seated horizontally in trays mounted inside the front air intake grille and rear intake grille. The filters screen out environmental dust drawn into the system by the cooling modules.

The TSR system uses only UL listed 94H-1, UL 900 Class Universal polyester air filters.

Filters require removal and cleaning or replacement approximately once every four weeks, more often in highly dusty areas. A damaged or worn filter prevents proper flow of cooling air, which might result in an over temperature condition.

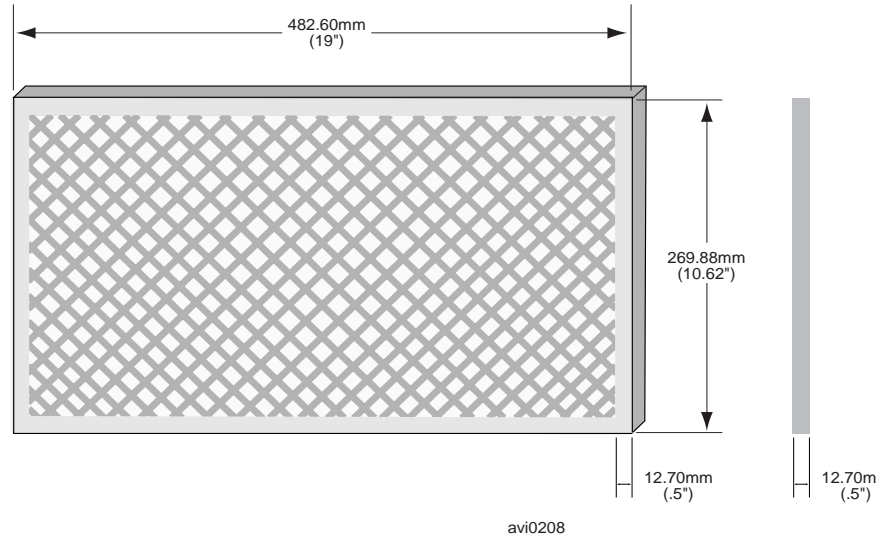
---

*Copyright © 2001 Avici Systems Inc.  
All Rights Reserved*

All information in this document is provided for informational use only and is subject to change without notice. Avici Systems Inc. assumes no responsibility for any errors that may be found in this document.

The software and documentation described in this document are provided under license and their use is subject to the terms of that license. Reproduction, in whole or in part, of the software or accompanying documentation is subject to the terms of the license agreement.

Figure 1 shows the Universal air filter.



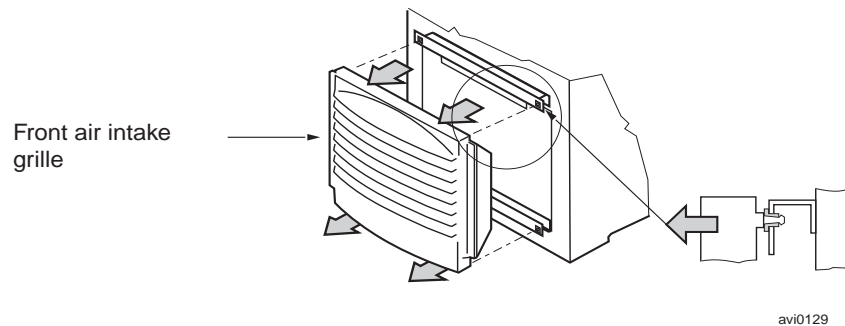
**Figure 1. Universal Air Filter**

Adhere to all caution and warning statements while performing filter maintenance procedures.

## Removing the Front Air Intake Grille

**PROCEDURE:** Use the following procedure to remove the front air intake grille:

- Step 1** Press and release the cable channel door panels on the left and right sides of the bay to open the doors and access the grille.
- Step 2** Grasp the face of the grille firmly by the air vents.
- Step 3** Pull toward the front of the bay to release the four ball studs from the receptacles holding the grille in place. Refer to Figure 2.

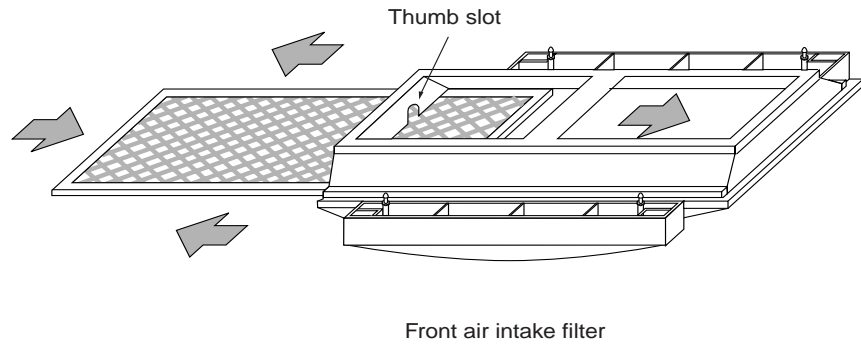


**Figure 2. Front Air Intake Grille Removal**

## Removing the Front Air Filter

**PROCEDURE:** Use the following steps to remove the front air filter:

- Step 1** Hold the front grille at a 45-degree angle.
- Step 2** With your thumb and forefinger grasp the edge of the air filter through the thumb-hole cutout on the left-side of the attached filter tray.
- Step 3** Pull the filter horizontally out the left-side of the filter tray. Refer to Figure 3.



**Figure 3. Front Air Intake Filter Removal and Replacement**



**CAUTION** Do not place tools on the filter tray. Damage to the honey comb screen of the filter can restrict air flow.

- Step 4** Visually inspect the condition of the air filter. If the filter is extremely dusty, or appears damaged, replace it with the Universal air filter.
- Step 5** If the filter is in good condition and not too dusty, move it away from the system and vacuum it thoroughly.

**NOTE** To prevent high levels of dust particles from re-entering the system, do not vacuum the filter near the system.

To prevent damage to the filter fibers and metal filter screen, use caution when vacuuming the filter.

## Replacing the Front Air Filter

When inserting the replacement air filter, note that the flow direction arrow on the filter faces toward the inside of the air intake assembly.

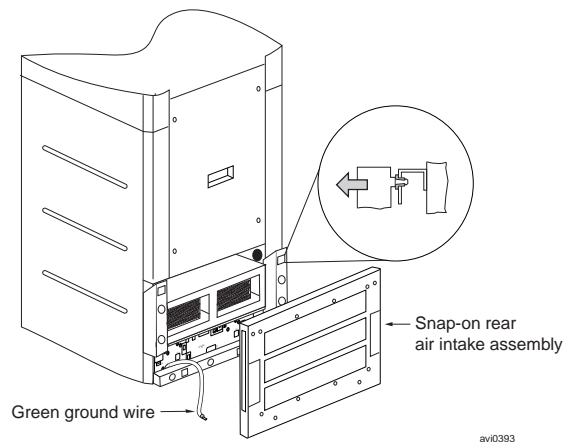
**PROCEDURE:** Use the following steps to replace the front air filter:

- Step 1** Hold the front intake grille at a 45-degree angle.
- Step 2** With your thumb and forefinger grasp the edge of the clean air filter and slide the clean air filter into the front air intake grille until it is in place. Note that the flow direction arrow on the filter faces toward the inside of the grille assembly.
- Step 3** Align the grille with its respective receptacles on the bay frame.
- Step 4** Press on the face of the grille until it snaps into place.
- Step 5** Close the cable routing door panels.

## Removing the Rear Air Intake Grille

**PROCEDURE:** Use the following steps to remove the rear intake grille from the bottom-rear of the bay:

- Step 1** Grasp the rear intake grille by the slot handles.
- Step 2** Pull the grille toward the back of the bay to release the four ball studs from the receptacles holding the assembly in place. Refer to Figure 4.
- Step 3** You can leave the green ground wire attached to the TSR system and the rear intake assembly if you store it nearby; otherwise, remove it.

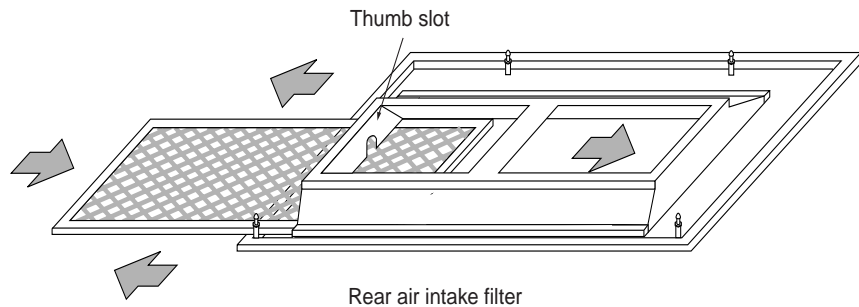


**Figure 4. Rear Air Intake Grille Removal**

## Removing the Rear Air Filter

**PROCEDURE:** Use the following steps to remove the rear air filter:

- Step 1** Hold the rear intake grille at a 45-degree angle.
- Step 2** With your thumb and forefinger, grasp the edge of the air filter through the thumb-hole cutout on the left side of the attached filter tray and pull the filter out horizontally. Refer to Figure 5.



avi0228

**Figure 5. Rear Intake Filter Removal and Replacement**

- Step 3** Visually inspect the condition of the air filter. If the filter is extremely dusty, or appears damaged, replace it with the Universal air filter.
- Step 4** If the filter is in good condition and not too dusty, move it away from the system and vacuum it thoroughly.

**NOTE** To prevent high levels of dust particles from re-entering the system, do not vacuum the filter near the system.

To prevent damage to the filter fibers and metal filter screen, use caution when vacuuming the filter.

## Replacing the Rear Air Filter

When inserting the replacement air filter, note that the flow direction arrow on the filter faces toward the inside of the rear intake grille.

**PROCEDURE:** Use the following procedure to install the new rear air filter:

- Step 1** Hold the rear intake grille at a 45-degree angle.

## *Field Replacement Procedure*

- Step 2** Grasp the edge of the clean air filter with your thumb and forefinger and slide it into the rear intake grille until it is in place. Note that the flow direction arrow on the filter faces toward the inside of the grille. Refer to Figure 5.
- Step 3** Align the ball studs of the rear intake grille with the receptacles on the bay frame.
- Step 4** Gently press on the rear intake grille until it snaps into place.